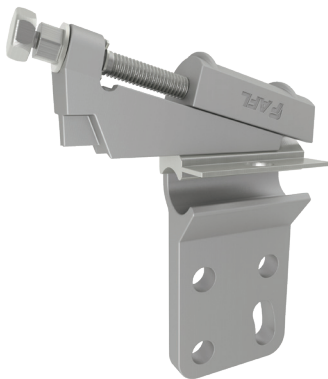


**2-HOLE PAD TAP**



**4-HOLE PAD TAP**

## Wedge Pad Tap Connectors

The C-shaped body of AFL's Pad Tap connector includes a 2-hole or 4-hole NEMA pad that can be used to connect various NEMA devices to aluminum and copper conductors. The bolted wedge technology makes installations quicker, easier and safer when compared with traditional tap connectors by eliminating the need for specialized tooling for the same type of connection. Once the appropriate pressure is obtained by the wedge, the breakaway bolt will shear off giving a visual indication that a correct installation has been made.

The connector is rated for the full current of the conductors within its range. As the conductors expand and contract under thermal cycling, the C-shaped body operates within the elastic region of its mechanical properties, allowing the connection to maintain constant pressure, resulting in reliability of performance. This connector is reusable and can easily be removed by backing out the bolt, which will drive out the wedge.

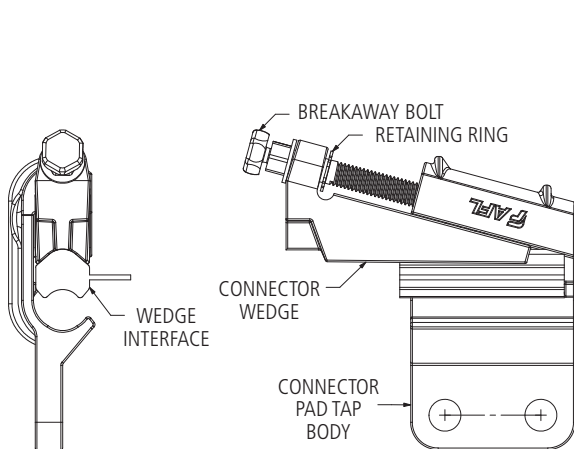
The wedge tap connectors are comprised of high strength aluminum castings, a breakaway bolt, and a highly conductive aluminum interface, providing a secure, reliable solution with an installation that is both fast and simple.

### Features

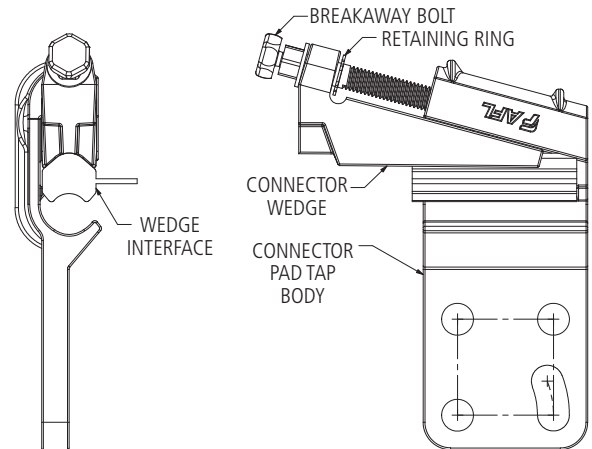
- Material
  - Connector Pad Tap Body—Aluminum Alloy
  - Connector Wedge—Aluminum Alloy
  - Wedge Interface—6101-T6
  - Breakaway Bolt—Aluminum
  - Retaining Ring—Steel
- Breakaway Bolt Torque: 10-12 ft-lbs
  - Bolt Head size: 3/4"
- For use on ACSR, AAC and AAAC conductors

### Standard Packaging

QUANTITY	WEIGHT
10	40 lbs



**FIG. 1**



**FIG. 2**

**\* Not rated for HT Conductors**

*continued*  
→

## Wedge Pad Tap Connectors (cont.)

### Ordering Information

LINE NO.	AFL NO.	FIG. NO.	CONDUCTOR		EST. WEIGHT	CPI NO.
			SIZE	DIAMETER RANGE		
1	PT2B-292	1	#2, 1/0, 2/0 AAC	0.292" - 0.413"	4.66 lbs	723210-1
2	PT4B-292	2			4.98 lbs	723210
3	PT2B-414	1	2/0, 3/0	0.414" - 0.521"	4.63 lbs	723003-1
4	PT4B-414	2			4.95 lbs	723003
5	PT2B-522	1	4/0, 250, 266.8, 300, 350, 336.4 AAC, 336.4 ACSR 18/1 & 26/7	0.522" - 0.719"	4.57 lbs	723004-1
6	PT4B-522	2			4.89 lbs	723004
7	PT2B-720	1	336.4 ACSR 30/7, 397.5, 450, 477, 500, 556.5 AAC, 556.5 ACSR 18/1 & 24/7, 636 AAC	0.720" - 0.917"	4.46 lbs	723005-1
8	PT4B-720	2			4.78 lbs	723005
9	PT2D-918	1	556.5 ACSR 26 & 30/7, 605, 715, 750, 636, 666.6, 795, 900, 954 AAC	0.918" - 1.124"	4.35 lbs	723006-1
10	PT4D-918	2			4.67 lbs	723006
11	PT2D-1125	1	954, 1000 (954)	1.125" - 1.215"	4.29 lbs	723007-1
12	PT4D-1125	2			4.61 lbs	723007
13	PT2D-1216	1	1033 AAC, 1272 AAC	1.216" - 1.302"	4.23 lbs	723008-1
14	PT4D-1216	2			4.55 lbs	723008

\* For Replacement Breakaway Bolts, see page 17 of the TAPLINK® catalog for ordering information.

### Qualifications

GOVERNING BODY	STANDARD CODE
ANSI	C119.4

**Contact AFL for further details.**